

## 环形链条索具

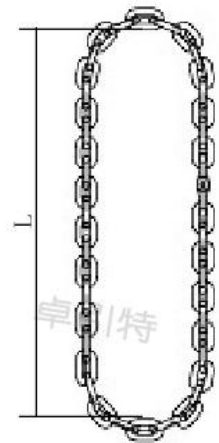
- 环形链条索具采用有限元分析和 CAD 辅助软件，参考 EN818-4、GB/T20652 等标准规范制作生产
- 具有耐磨、耐高温、耐腐蚀、延展性低、受力后不会伸长等优点
- 主要用于制造业、交通运输业、采矿业等领域
- 可根据客户要求定制链条配件及长度
- 提供实验报告、合格证及质保证书
- 表中为 G80 级链条索具组合数据



链条双环扣连接



焊接环连接



规格型号	链条直径 ( mm )	额载 ( t )	链条重量(kg/m)
HLSJ-6	6	1.79	1.6
HLSJ-8	8	3.2	2.76
HLSJ-10	10	5.04	4.4
HLSJ-12	12	7.36	6.2
HLSJ-13	13	8.48	7.6
HLSJ-14	14	10.08	8.26
HLSJ-16	16	12.8	11.26
HLSJ-18	18	16	13.7
HLSJ-20	20	17.92	17.2
HLSJ-22	22	24	20.4
HLSJ-26	26	33.92	25.56
HLSJ-32	32	50.4	44.6
HLSJ-34	34	57.6	51
HLSJ-38	38	72	64
HLSJ-42	42	88	77.2
HLSJ-48	48	116	101.32

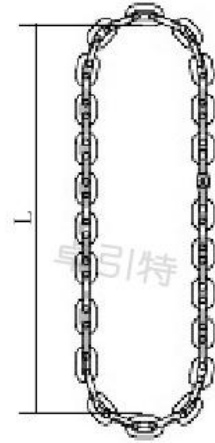
环形捆绑链条索具



链条双环扣连接

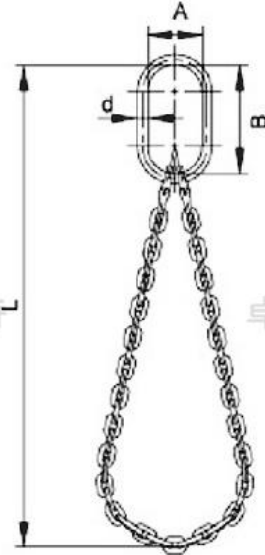


焊接环连接



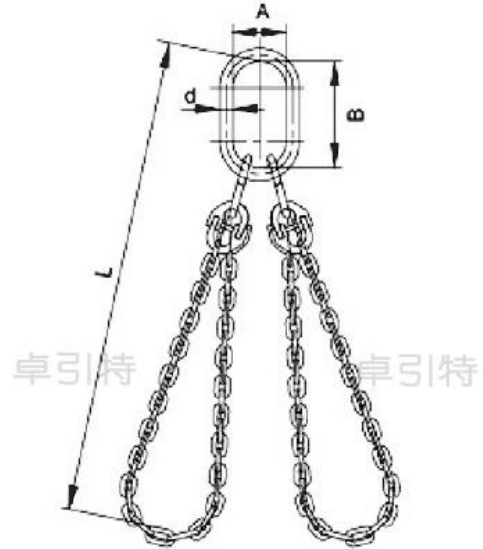
规格型号	链条直径 ( mm )	额载 ( t )	链条重量(kg/m)
KHLSJ-6	6	1.79	1.6
KHLSJ-8	8	3.2	2.76
KHLSJ-10	10	5.04	4.4
KHLSJ-12	12	7.36	6.2
KHLSJ-13	13	8.48	7.6
KHLSJ-14	14	10.08	8.26
KHLSJ-16	16	12.8	11.26
KHLSJ-18	18	16	13.7
KHLSJ-20	20	17.92	17.2
KHLSJ-22	22	24	20.4
KHLSJ-26	26	33.92	25.56
KHLSJ-32	32	50.4	44.6
KHLSJ-34	34	57.6	51
KHLSJ-38	38	72	64
KHLSJ-42	42	88	77.2
KHLSJ-48	48	116	101.32

单肢环形链条索具



规格型号	链条直径 ( mm )	额载 ( t )		主吊环尺寸 A*B*d ( mm )	链条重量 ( kg/m )
		0-45°	45°-60°		
HLSJ1-6	6	1.25	0.9	60x110x13	1.6
HLSJ1-8	8	2.24	1.6	75x135x18	2.76
HLSJ1-10	10	3.53	2.52	90x160x22	4.4
HLSJ1-13	13	5.94	4.24	100x180x26	7.6
HLSJ1-16	16	8.96	6.4	110x200x32	11.26
HLSJ1-20	20	12.54	8.96	160x300x40	17.2
HLSJ1-22	22	16.8	12	180x340x45	20.4
HLSJ1-26	26	23.74	16.96	190x350x50	25.56
HLSJ1-32	32	35.28	25.2	200x400x56	44.6

双肢环形链条索具



规格型号	链条直径 ( mm )	额载 ( t )		主吊环尺寸 A*B*d	链条重量 (kg/m)
		0-45°	45°-60°		
HLSJ2-6	6	1.9	1.34	75x135x18	3.2
HLSJ2-8	8	3.4	2.4	90x160x22	5.52
HLSJ2-10	10	5.36	3.78	100x180x26	8.8
HLSJ2-13	13	9.01	6.36	110x200x32	15.2
HLSJ2-16	16	13.6	9.6	140x260x36	22.52
HLSJ2-20	20	19.04	13.44	190x350x50	34.4
HLSJ2-22	22	25.5	18	190x350x50	40.8
HLSJ2-26	26	36.04	25.44	200x400x56	51.12
HLSJ2-32	32	53.55	37.8	220x430x63	89.2

环形链条索具载荷对比表

产品名称 角度 $\beta$ 额载系数	环 形 ( t ) 0° 1.6	环形捆绑 ( t ) 0° 1.6	单肢环形 ( t )		双肢环形 ( t )	
			0-45° 1.12	45°-60° 0.8	0-45° 1.7	45-60° 1.2
$\Phi 6$	1.79	1.79	1.25	0.9	1.9	1.34
$\Phi 8$	3.2	3.2	2.24	1.6	3.4	2.4
$\Phi 10$	5.04	5.04	3.53	2.52	5.36	3.78
$\Phi 12$	7.36	7.36	5.15	3.68	7.82	5.52
$\Phi 13$	8.48	8.48	5.94	4.24	9.01	6.36
$\Phi 14$	10.08	10.08	7.06	5.04	10.71	7.56
$\Phi 16$	12.8	12.8	8.96	6.4	13.6	9.6
$\Phi 18$	16	16	11.2	8	13.6	12
$\Phi 20$	17.92	17.92	12.54	8.96	19.04	13.44
$\Phi 22$	24	24	16.8	12	25.5	18
$\Phi 26$	33.92	33.92	23.74	16.96	36.04	25.44
$\Phi 32$	50.4	50.4	35.28	25.2	53.55	37.8
$\Phi 34$	57.6	58.6	40.32	28.8	61.2	43.2
$\Phi 38$	72	72	--	--	--	--
$\Phi 42$	88	88	--	--	--	--
$\Phi 48$	116	116	--	--	--	--