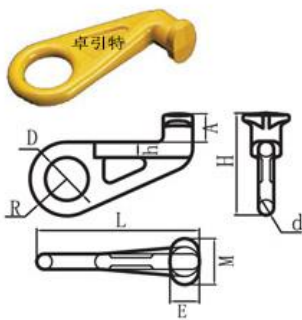
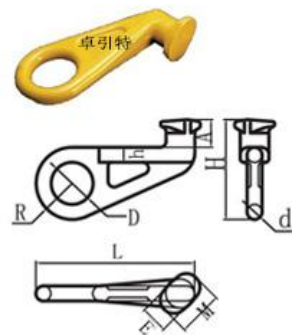


Container Lifting

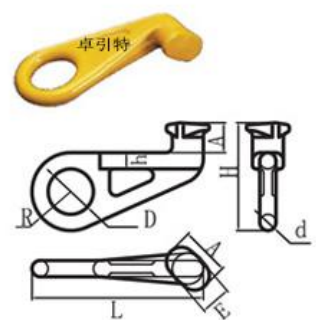
- Forged super alloy steel-Quenched and tempered
- Individually proof test at 2.5 times working load limit.
- Fatiuge tested for 20000 cycles.
- Breakage test
- 100% magnaflux crack detection.
- Suitable for EN818-2 G80 chain.
- Safety factor 4:1
- Surface finish: Powder plastified..



直型集装箱钩



左45° 集装箱钩



右45° 集装箱钩

Product Name	ITEM NO.	WLL	Breaking Strength	Size (mm)									Weight
				T	T	A	M	H	h	E	R	D	
container hook straight type	8-633-S	12.5	50	46	75	166	25	48	60	70	25	265	4
container hook left type	8-633-L	12.5	50	46	75	166	25	48	60	70	25	265	4
container hook right type	8-633-R	12.5	50	46	75	166	25	48	60	70	25	265	4

