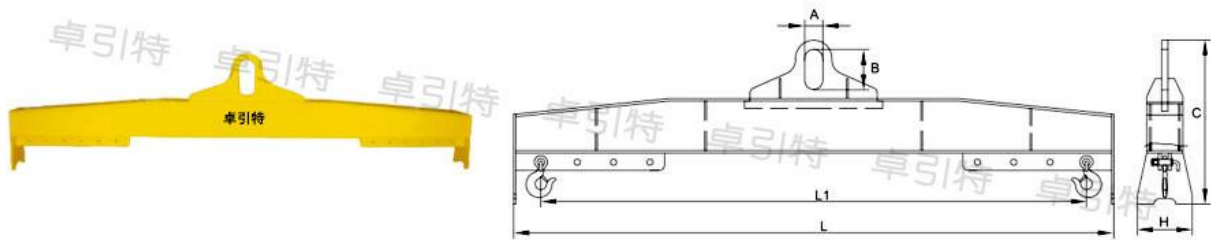


Lifting Beam

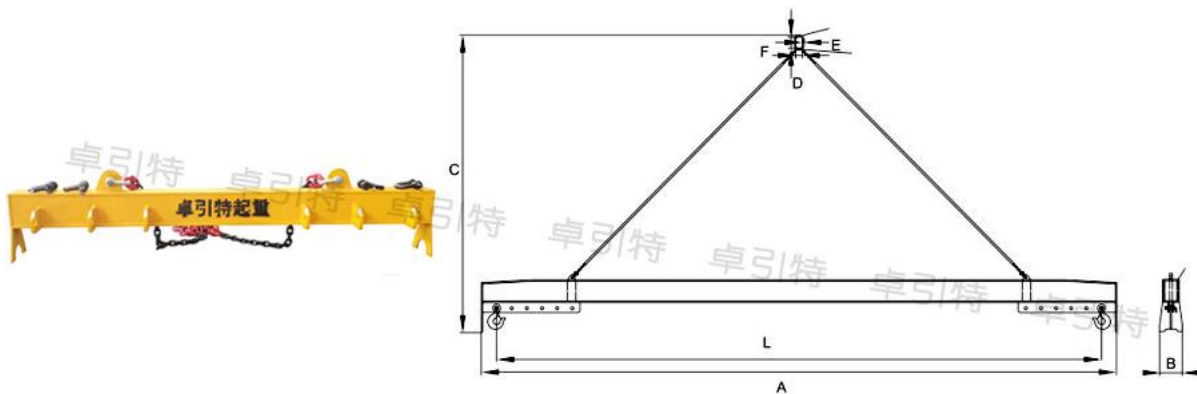
- According to GB/T26079-2010
- Function and characteristic: adjust the position of the hook per the dimensions of the loads.
- The data in the table are finalized product data.
- Accessories: pin, eye hook (swivel hook).
- The lifting beam can be designed according to the requirements of the customer.

HLA Type Beam



ITEM No.	WLL	Adjusting scope	Effective Length (m)	Dimensions(mm)					Self weight
	t			m	L1	A	B	C	
HLA-2T	2	2~3	3	80	150	570	3184	180	145
HLA-3.2T	3.2	3~5	5	100	220	830	5200	300	400
HLA-5T	5	3~5	5	100	220	935	5300	300	520
HLA-8T	8	4~6	6	160	360	1140	6312	340	980
HLA-10T	10	4~6	6	160	360	1140	6312	340	1140
HLA-12.5T	12.5	4~6	6	180	400	1320	6320	370	1385
HLA-16T	16	6~8	8	180	430	1370	8320	450	2325
HLA-20T	20	6~8	8	180	430	1485	8360	450	2635
HLA-25T	25	6~8	8	200	500	1755	8500	530	3110
HLA-32T	32	8~10	10	220	600	2135	10640	650	5435
HLA-40T	40	8~10	10	220	600	2165	10640	650	5880

HLB Type Beam



ITEM No.	WLL	Adjusting scope	Effective Length (m)	Dimensions(mm)			AxBxC	Self weight
	t	m	L	D	E	F	mm	kg
HLB-2T	2	1~3	3	80	20	150	3180×160×1800	150
HLB-3.2T	3.2	3~5	5	90	24	160	5200×210×2100	350
HLB-5T	5	3~5	5	100	28	190	5300×240×2400	430
HLB-8T	8	6~8	8	110	32	200	8350×250×3800	720
HLB-10T	10	6~8	8	120	34	230	8350×280×3850	810
HLB-12.5T	12.5	6~8	8	135	38	250	8350×280×3900	945
HLB-16T	16	6~8	8	140	42	270	8350×300×4050	1170
HLB-20T	20	6~8	8	160	46	310	8400×300×4150	1475
HLB-25T	25	6~8	8	180	52	330	8460×380×4300	1585
HLB-32T	32	6 ~ 10	10	180	56	330	10500×480×4550	2720
HLB-40T	40	6 ~ 10	10	220	69	396	10500×480×4650	2790