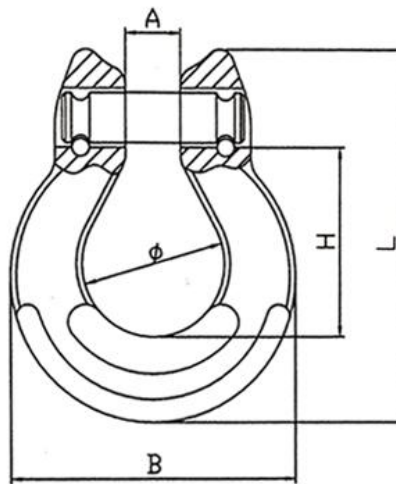


Omega Link

- Forged super alloy steel-Quenched and tempered
- Individually proof test at 2.5 times working load limit.
- Fatiuge tested for 20000 cycles.
- Breakage test
- 100% magnaflux crack detection.
- Suitable for EN818-2 G80 chain.
- Safety factor 4:1
- Surface finish: Powder plastified.



ITEM NO.	WLL	B.L	Size(mm)							Weight
	T	T	A±0.5	B±2	C±1	Φ±1	H±1.5	L±2	K±1	kg
8-002-06	1.12	4.48	8	41	9	21.5	25	52	17	0.12
8-002-08	2	8	10	52	14	23.5	35	68.5	22	0.22
8-002-10	3.15	12.6	12.5	62	16	31	40.5	87	26	0.36
8-002-13	5.3	21.2	15	81	20	41	54	108	34	0.71
8-002-16	8	32	19	99	25.5	49.5	64	126	38.5	1.12
8-002-20	12.5	50	23	118	32	58	75.6	152	50	2.1