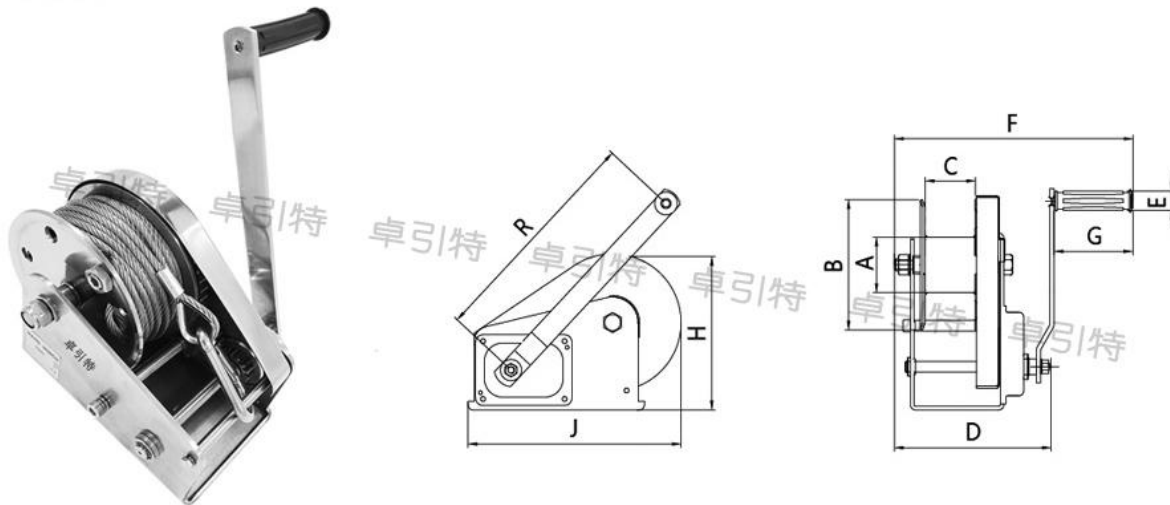
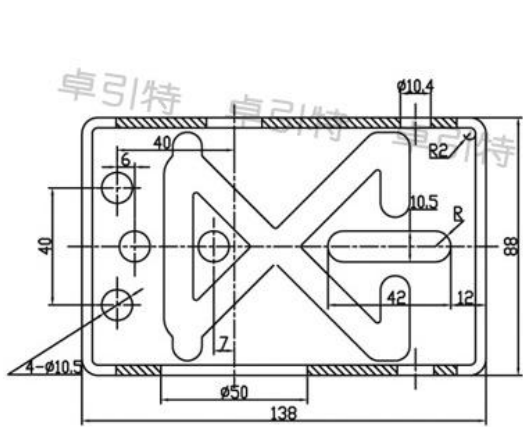


## Stainless Steel Manual Winch

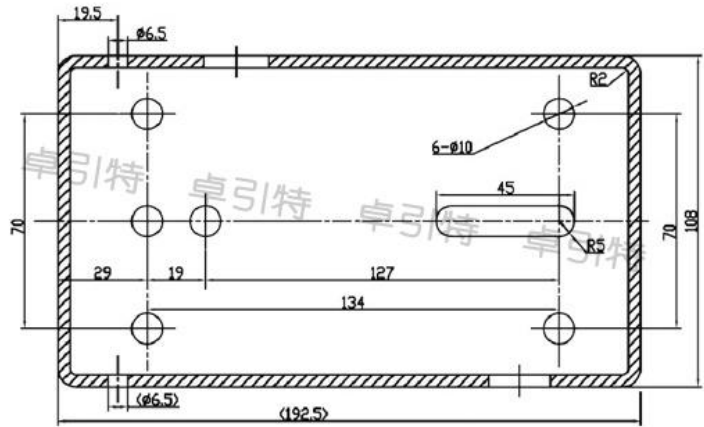
- Material: 304.
- Compact structure, light weight, portable and durable.
- Fully automatic braking, release the handle at any time, keep the load in the required position, increase the safety factor, avoid falling rope danger.
- With friction brake device, the brake is flexible. Under load, the double brakes are automatically opened and the lifting and self-locking are realized.
- Manual winch is not equipped with wire rope by default. Additional instructions are needed for configuration.



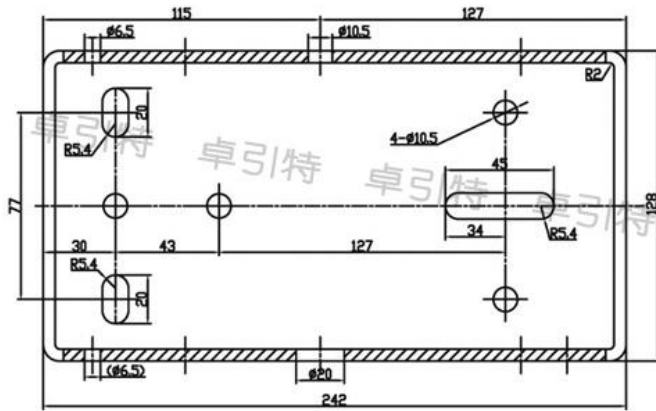
ITEM No		JP-270	JP-400	JP-600
WLL ( kg )		270	400	600
Test Load ( kg )		337	500	750
Speed Ratio		4.2:1	5:1	10:1
Wire Rope Diameter ( mm )		5	6	6
Wire Rope Max. Length ( m )		15	20	25
Size(mm)	A	φ48	φ60	φ75
	B	φ134	φ180	φ180
	C	51	60	63
	D	157	190	209
	E	φ27	φ27	φ27
	F	273	288	307
	G	110	110	110
	H	156	203	216
	J	184	246	294
	R	208	319	319
Net Weight ( kg )		3.7	8.1	10.3



JP-270 安装尺寸



JP-400 安装尺寸



JP-600 安装尺寸

