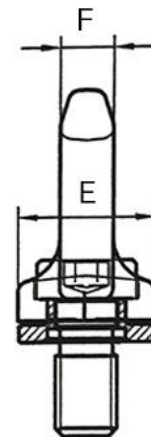
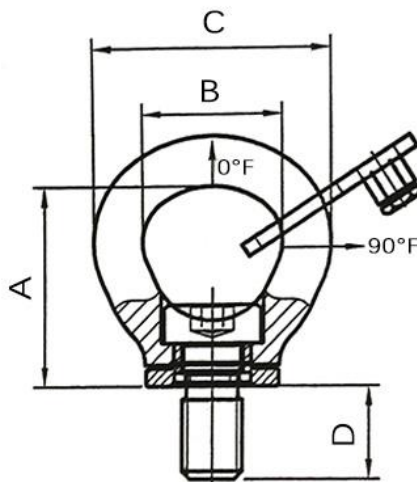


## Eye Type Lifting Swivel

- According with EN1677-4.
- Safety factor 4:1
- 360° adjustable in force direction.
- several times higher WLL than the DIN 580 eye bolt.
- Easy-Fit-Key for easy assembly and disassembly.



ITEM No.	WLL ( T )		Size ( mm )						Weight Kg
	90°F	0°F	A	B	C	D	E	F	
VRS-M8×1.25	0.3	0.8	38±2	26±2	45.3±2	11.5±2	25±1	8±1	0.11
VRS-M10×1.5	0.4	1	38±2	26±2	45.3±2	14±2	25±1	8±1	0.12
VRS-M12×1.75	0.75	2	43.5±3	32±3	54±3	17±2.5	33±2	10±1.5	0.2
VRS-M16×2.0	1.5	4	52±3	37.5±3	63.5±3	24±2.5	36±2	14±1.5	0.35
VRS-M20×2.5	2.3	6	63±4	44.5±4	78.5±4	30±3	47.5±3	20.6±2	0.66
VRS-M24×3.0	3.2	8	74±4	51.6±4	92±4	35.3±3	53±3	20±2	1.1
VRS-M30×3.5	4.5	12	92±4	65±4	118±4	45±3	68±3	24±2	2.1

VRS-M36×4.0	7	16	105±5	76±5	136±5	56.8±4	82±4	30±2.5	4
-------------	---	----	-------	------	-------	--------	------	--------	---